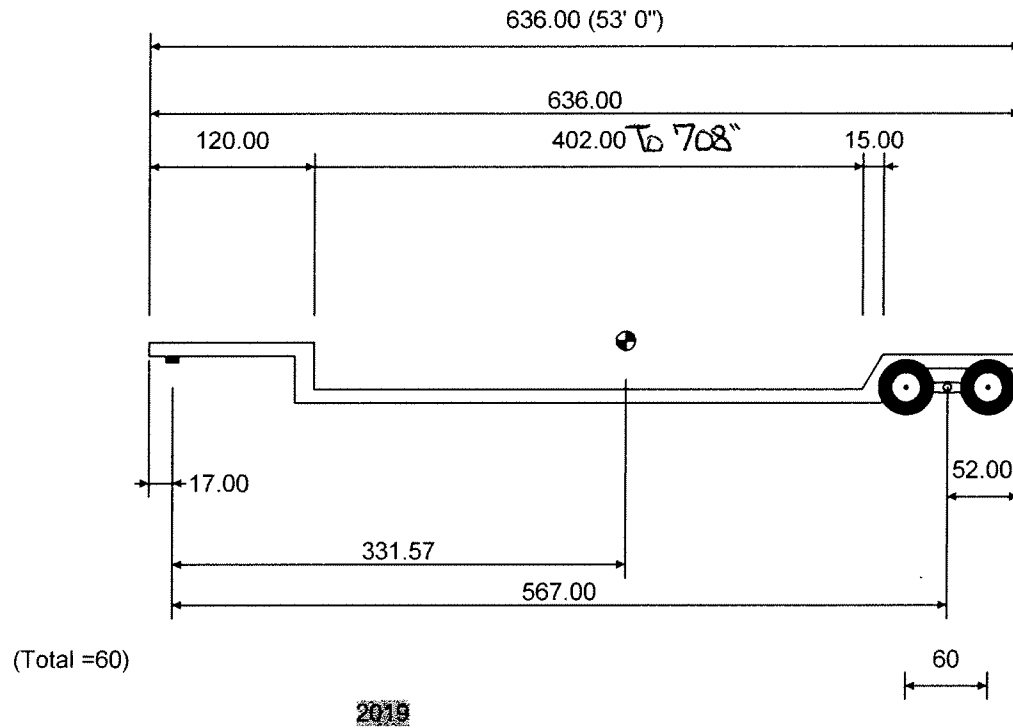


Extendible 53' Double Drop Deck

All lengths in inches and weights in pounds

Printout of Load Xpert software

24" height



Axle Loads:

	#1 (lb)	Total (lb)
Tare:	13520	13520
Accessories:	0	0
Payload:	0	0
Total:	13520	13520
Desired/(GVW)*:	40000	-
GAWR/(GVWR)*:	40000	-

Overall C.G. height from ground (in): N/A

Title:	Company:	Date:
	Ref.:	By: