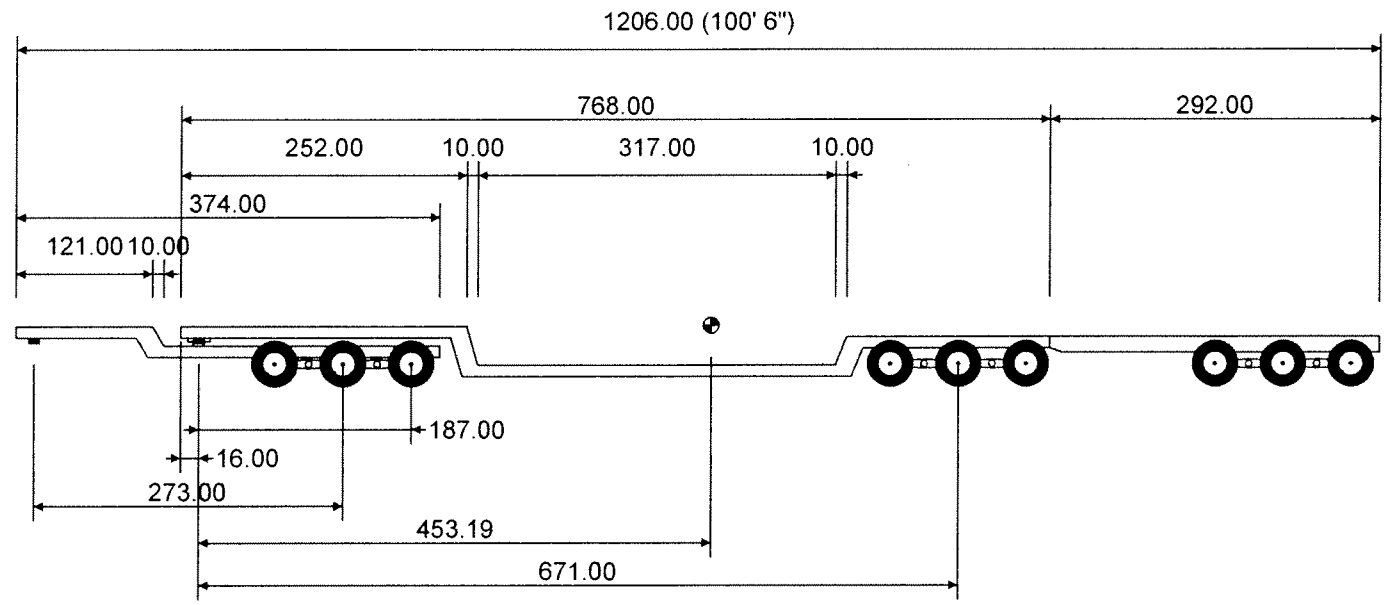


Double Drop Deck 75 tonner

All lengths in inches and weights in pounds

Printout of Load Xpert software



(Total =952)

20123

20124 + B0

Axle Loads:	#1 (lb)	#2 (lb)	#3 (lb)	Total (lb)
Tare:	22617	17040	15040	54697
Accessories:	0	0	0	0
Payload:	0	0	0	0
Total:	22617	17040	15040	54697
Desired/(GVW)*:	-	-	-	-
GAWR/(GVWR)*:	-	-	-	-

	Unit 1 (Jeep)	Unit 2 (Lowbed)	Vehicle
Tare weight (lb):	10613	57056	67669
Accessories(lb):	0	0	0
Payload (lb):	0	0	0
Total (lb):	10613	57056	67669
Overall C.G. height from ground (in):	N/A	N/A	

Title:	Company:	Date:
	Ref.:	By: